

Aggressor 10 Watt Lightbars MARINE Series



SKU Range

B6SRLB10W4F	- 2 LED's
B6SRLB10W10F	- 4 LED's



Aggressor 10 Watt 10 LED — B6SRLB10W10F shown

MARINE STANDARD

You only need one glance to realize that the sky was the limit when designing the Base6 **MARINE Series Aggressor Range**.

Released in late 2016, the original Aggressor range has seen a large share of use in the Australian Market.

Upon its release it disrupted the high performance driving light market. Since then, the entire Aggressor Range has seen continued upgrades that help to maximize light output and reliability at levels that surpass the most respected players in the industry.



Base 6 have build a reputation for producing high quality LED products that will last the test of time. The use of quality materials, excellent R & D, attention to detail and quality assurance ensure your investment will provide years of trouble free use. We back this with a 5 year warranty for your piece of mind.



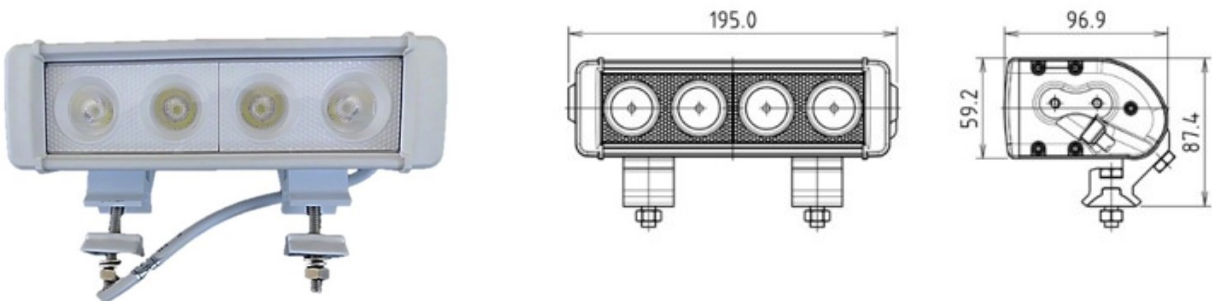
SKU:B6SRLB10W4P

Aggressor 40 Watt LED Lightbar



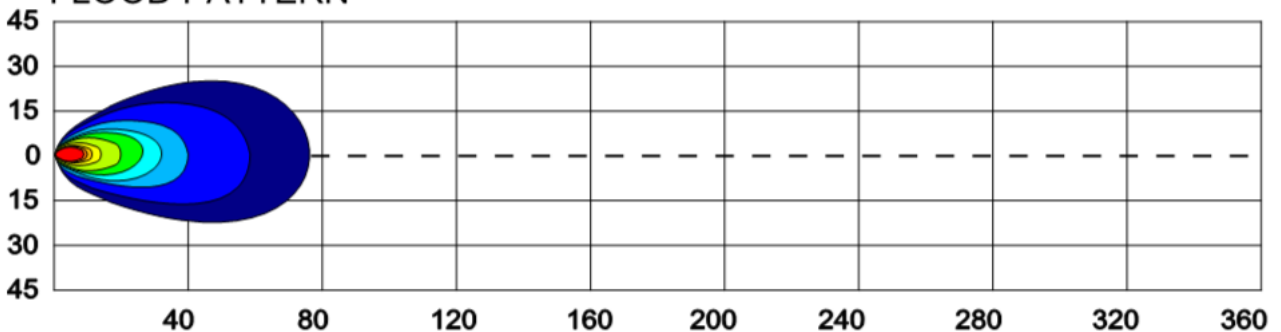
Features

- 10 watt genuine CREE LED chips
- Polycarbonate lenses
- Heavy Duty powder coated aluminium housings
- Deutsch Connector
- Multiple mounting options including fully adjustable sliding mounts allowing downward and rear mounting
- PWM Thermal and power management



Length	195mm
Lumen Output	3600
Voltage	9-32VDC
Current Draw	1.76 A @ 12v
Number of LEDs	4 x Cree LED Chip
Beam Angle	Spot, Flood, Combo
LED Wattage	10 watt
IP Rating	68
Working Temperature	-40°C to 50°C
Vibration (G)	8.6

FLOOD PATTERN



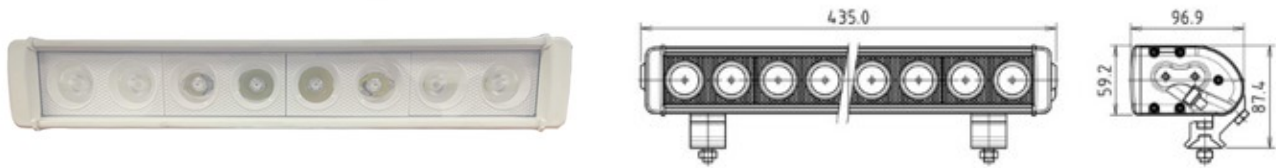
SKU:B6SRLB10W10P

Aggressor 100 Watt LED Lightbar



Features

- 10 watt genuine CREE LED chips
- Polycarbonate lenses
- Heavy Duty powder coated aluminium housings
- Deutsch Connector
- Multiple mounting options including fully adjustable sliding mounts allowing downward and rear mounting
- PWM Thermal and power management



Length	435mm
Lumen Output	9000
Voltage	9-32VDC
Current Draw	4.4 A @ 12v
Number of LEDs	10 x Cree LED Chip
Beam Angle	Spot, Flood, Combo
LED Wattage	10 watt
IP Rating	68
Working Temperature	-40°C to 50°C
Vibration (G)	8.6

FLOOD PATTERN

